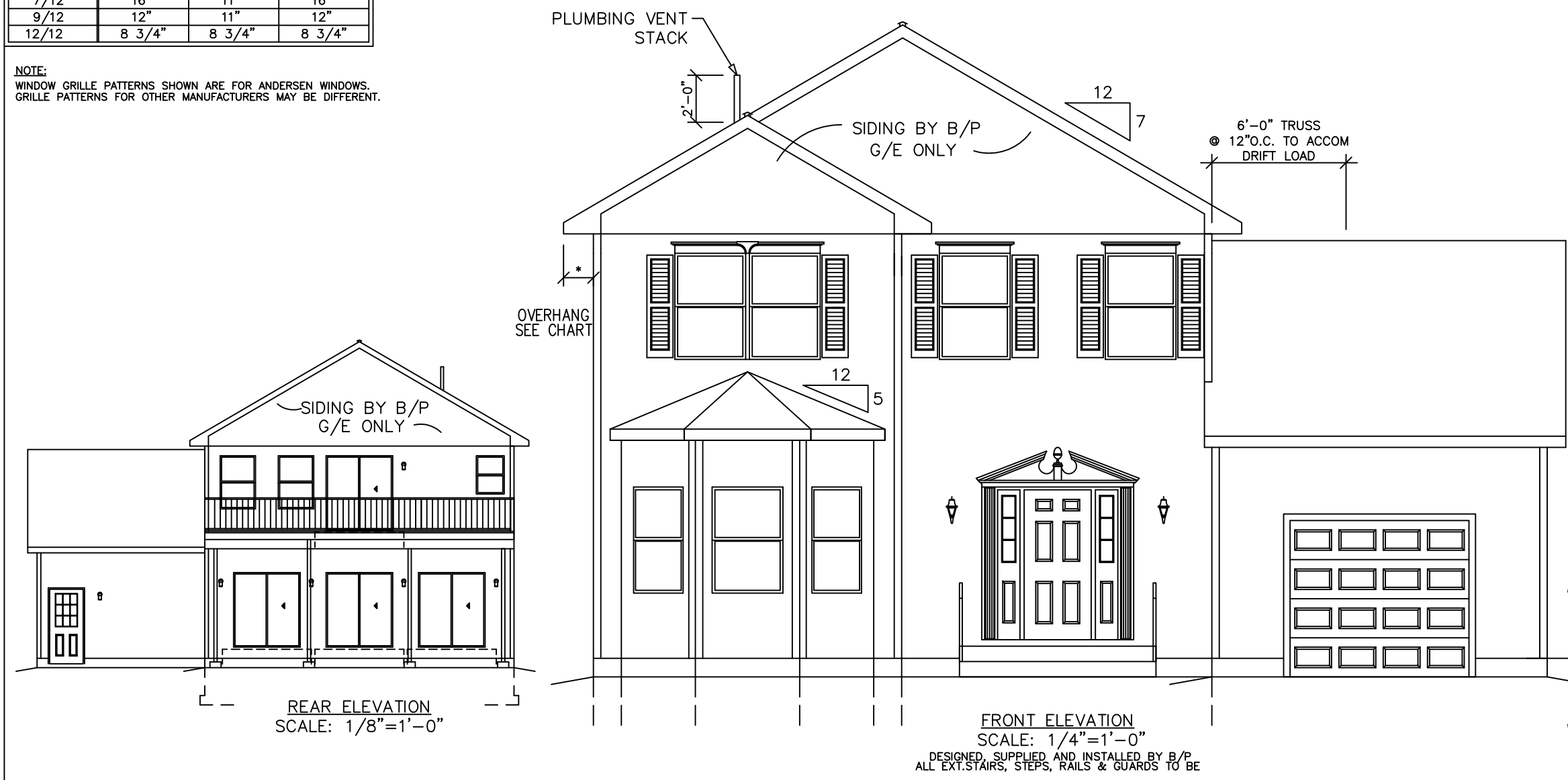


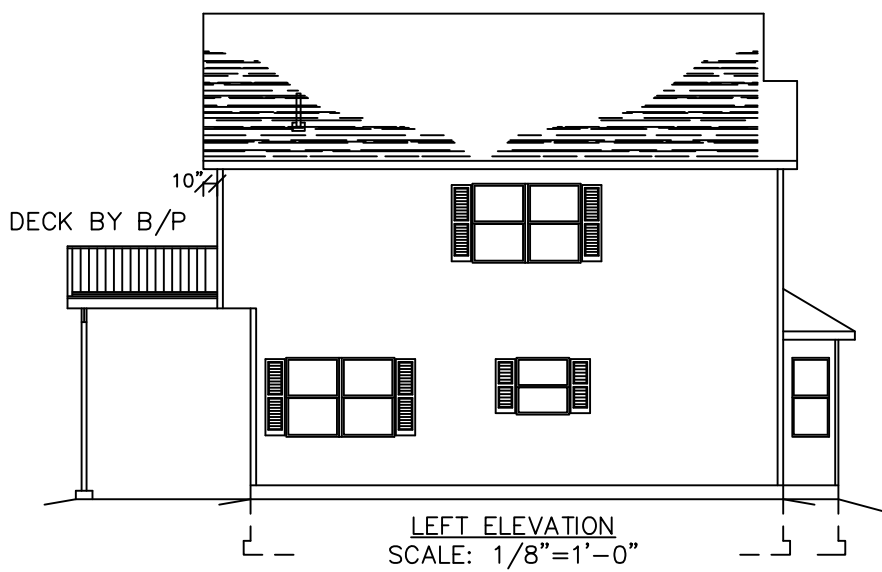
OVERHANG DIMENSION (*)			
ROOF PITCH	HOUSE WIDTH		
	24'-0"	26'-0"/30'-0"	27'-8"/31'-8"
5/12	16"	11"	16"
7/12	16"	11"	16"
9/12	12"	11"	12"
12/12	8 3/4"	8 3/4"	8 3/4"

NOTE:
WINDOW GRILLE PATTERNS SHOWN ARE FOR ANDERSEN WINDOWS.
GRILLE PATTERNS FOR OTHER MANUFACTURERS MAY BE DIFFERENT.

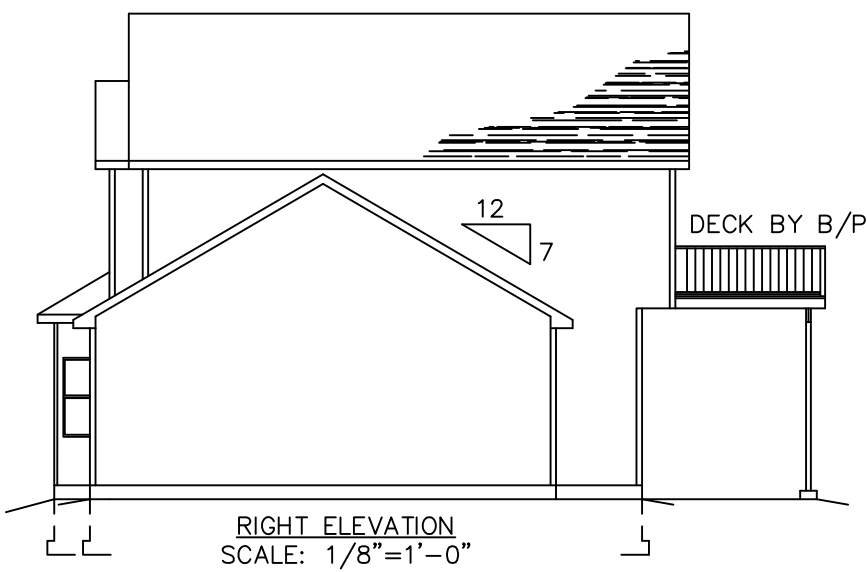


REAR ELEVATION
SCALE: 1/8"=1'-0"

FRONT ELEVATION
SCALE: 1/4"=1'-0"
DESIGNED, SUPPLIED AND INSTALLED BY B/P
ALL EXT. STAIRS, STEPS, RAILS & GUARDS TO BE



LEFT ELEVATION
SCALE: 1/8"=1'-0"



RIGHT ELEVATION
SCALE: 1/8"=1'-0"

SEE STANDARD NOTES & DETAILS DWG #8

THIRD PARTY INSPECTION AGENCY

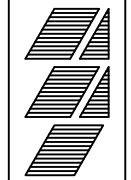
PE / RA

SERIAL No.	12016
PRODUCTION No.	5922
REVISION	RC
DATE	03/07/12
CHECK	
DATE	10/15/03

HOMEOWNER:

COLONIAL CTM-L
ELEVATIONS

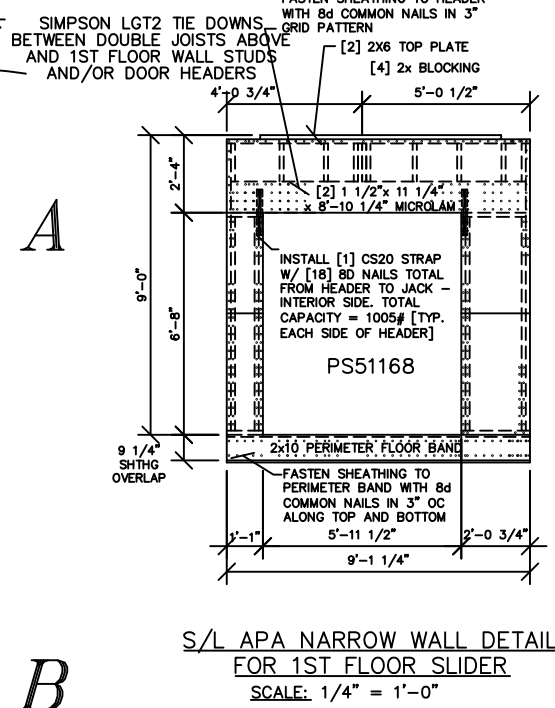
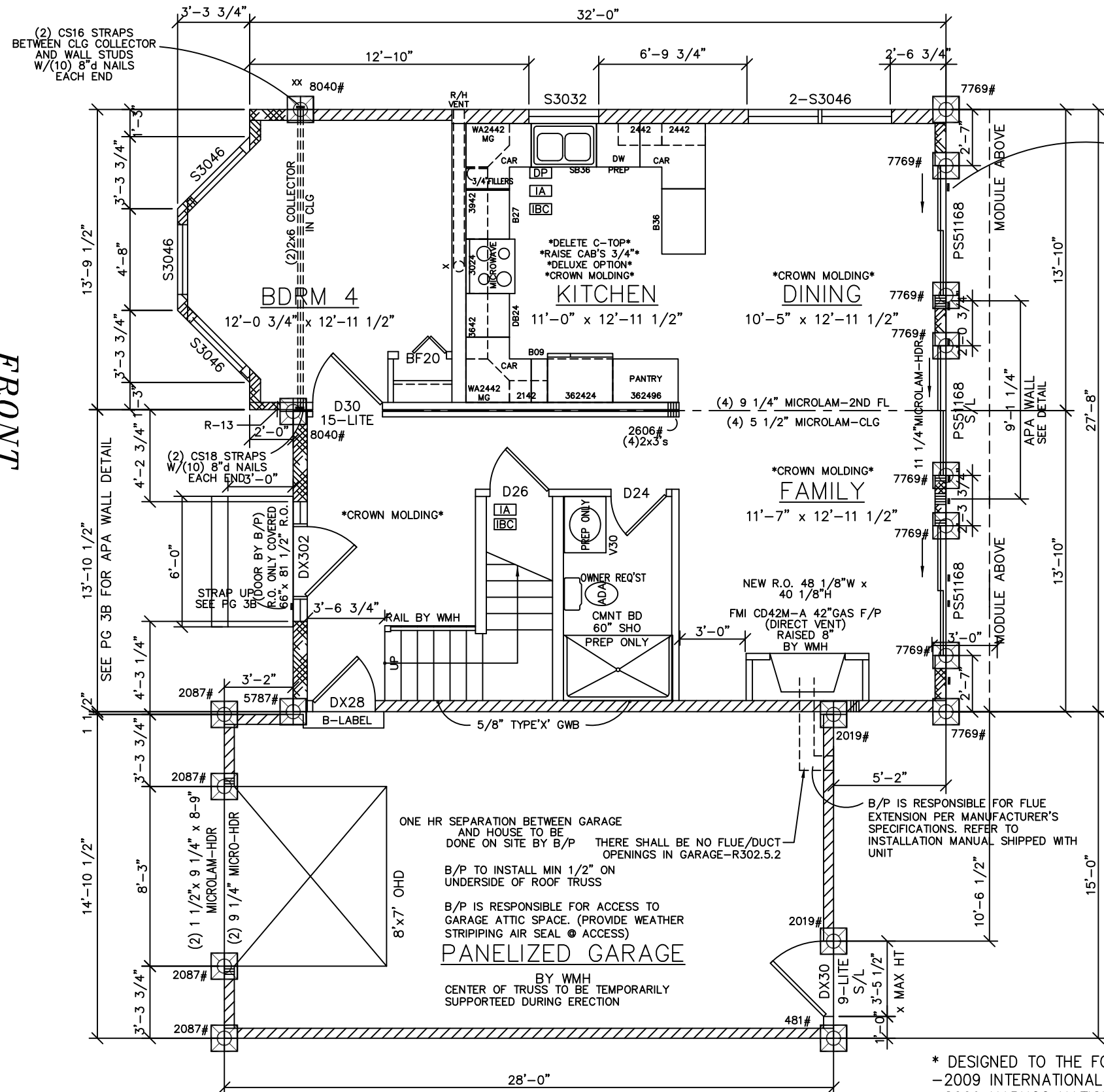
Westchester Modular Homes Inc
30 Reagans Mill Road, Wingdale, New York, 12594
Tel (845)832-9400 Fax (845)832-6698



USE GROUP:	R5
CONST. TYPE:	VB
DESIGNER:	RC
DATE:	02/14/12
SCALE:	AS NOTED
PAGE:	1

SEE STANDARD NOTES & DETAILS DWG #8

FRONT



-9'-0" 1ST FLOOR CLG HT.-
 -SILVERLINE WINDOWS (STOOL & SILLS/NO GRILLES)-MIN DP 40
 -6 PANEL SOLID SMOOTH INT. DOORS-

ALL WINDOWS & DOORS
 NEW JERSEY FLASHING

884 S.F.
 1st. FLR.

NOTE:
 ALL WINDOWS WITH A SILL HEIGHT LESS THAN 24" ABOVE FINISHED FLOOR AND WITH A EXT. HEIGHT OF GREATER THAN 6'-0" TO GRADE SHALL BE EQUIPPED WITH FALL PROTECTION SUPPLIED AND INSTALLED BY B/P ON SITE IN ACCORDANCE W/ R612.3

- * DESIGNED TO THE FOLLOWING:
- 2009 INTERNATIONAL RESIDENTIAL CODE, NJ AMENDMENTS
 - 2009 NAPCC NATIONAL STANDARD PLUMBING CODE, NJ AMENDMENTS
 - 2008 NATIONAL ELECTRICAL CODE, NJ AMENDMENTS
 - 2009 INTERNATIONAL ENERGY CONSERVATION CODE, NJ AMENDMENTS

LIGHT & VENTILATION SCHEDULE (sf)			
ROOM	AREA	LIGHT SUPPLIED	VENT SUPPLIED
FAMILY	148	60.8	29.2
DINING	136	53.6	26.0
KITCHEN	143	8.0	3.7
BDRM 4	156	34.8	17.1

THIRD PARTY INSPECTION AGENCY

PE / RA

SERIAL No. 12016

PRODUCTION No. 5922

REVISION RC DATE 03/07/12

HOMEOWNER: SITE:

DESIGNER: RC

DATE: 02/14/12

SCALE: 1/4" = 1'-0"

USE GROUP: R5

CONST. TYPE: VB

BUILDER: COLONIAL CTM-L

FIRST FLOOR PLAN

Westchester Modular Homes Inc
 30 Reagans Mill Road, Wingdale, New York, 12594
 Tel (845)832-9400 Fax (845)832-6698

CHECK DATE

3A

SEE STANDARD NOTES & DETAILS DWG #8

ALL WINDOWS & DOORS
NEW JERSEY FLASHING

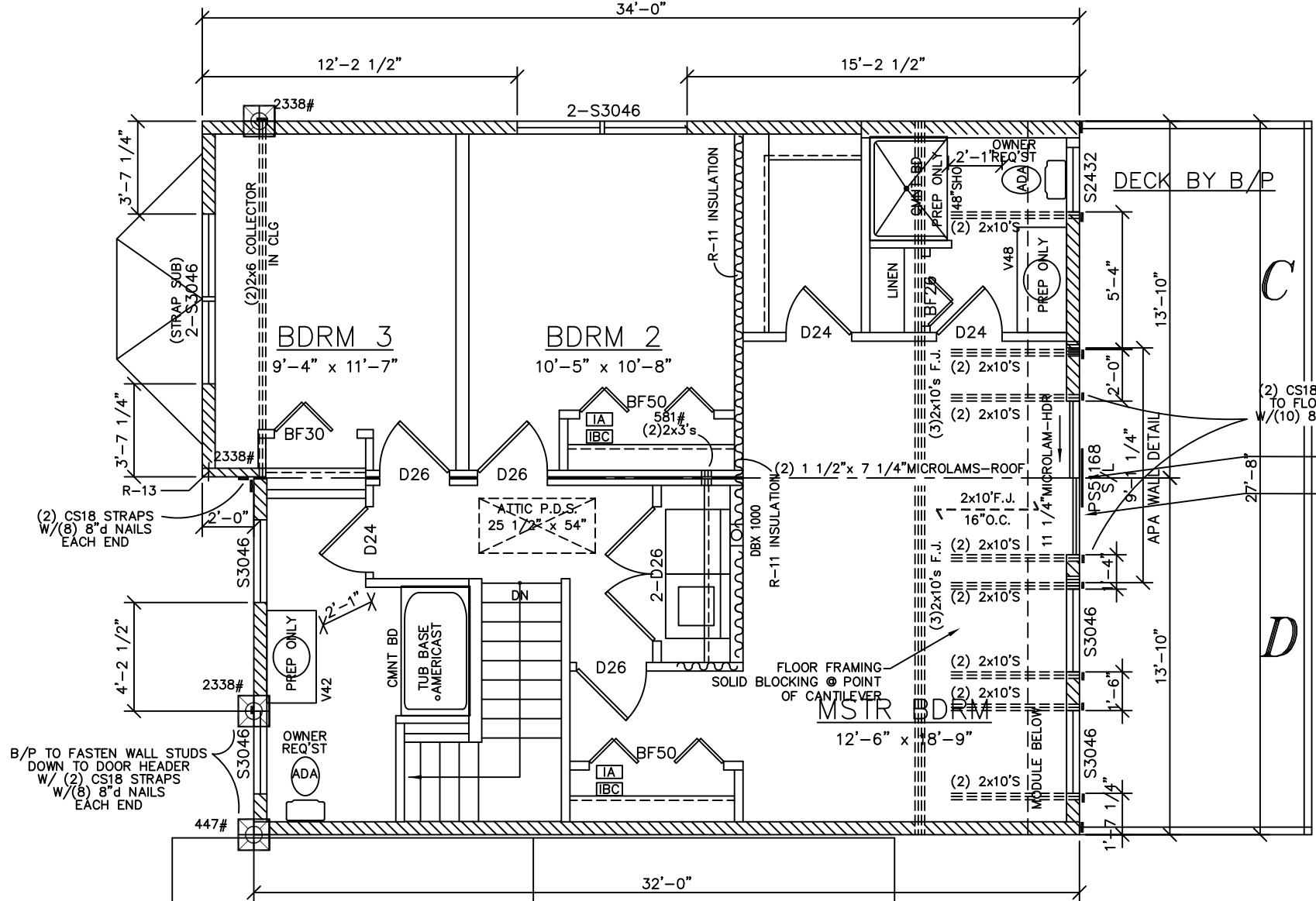
913 S.F.
1st. FLR.

- * DESIGNED TO THE FOLLOWING:
 -2009 INTERNATIONAL RESIDENTIAL CODE, NJ AMENDMENTS
 -2009 NAPHCC NATIONAL STANDARD PLUMBING CODE, NJ AMENDMENTS
 -2008 NATIONAL ELECTRICAL CODE, NJ AMENDMENTS
 -2009 INTERNATIONAL ENERGY CONSERVATION CODE, NJ AMENDMENTS

115 MPH WIND ZONE

SHEARWALL LEGEND	
ALL FIELD NAILING IS 12" OC SEE BELOW FOR EDGE NAILING	
	SHEAR WALL (436#/LF) w/ 8d COMMON NAILS @ 6" OC
	SHEAR WALL (730#/LF) w/ 8d COMMON NAILS @ 3" OC
	HOLDDOWN LOCATION AND REQUIRED LOAD
LOAD #	

NOTE:
ALL WINDOWS WITH A SILL HEIGHT LESS THAN 24" ABOVE FINISHED FLOOR AND WITH A EXT. HEIGHT OF GREATER THAN 6'-0" TO GRADE SHALL BE EQUIPPED WITH FALL PROTECTION SUPPLIED AND INSTALLED BY B/P ON SITE IN ACCORDANCE W/ R612.3

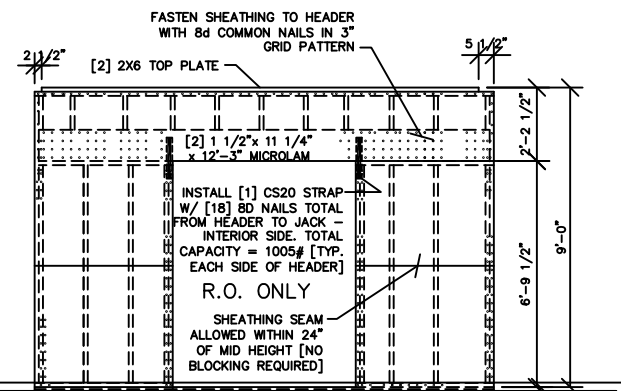


WMH TO INSTALL
(2) CS18 STRAPS FROM WALL STUDS TO FLOOR JOIST W/(8) 8"d NAILS W/(10) 8"d NAILS (TYPICAL FOR TEN)

SIMPSON CS16 CONNECTOR @ FLOOR BANDS
SEE DRAWING 4 FOR SHIPLOOSE HEADER & APA DETAIL

NOTE:
B/P IS RESPONSIBLE FOR INSULATION AND WEATHERPROOFING FLOOR JOIST @ CANTILEVER

- FLOOR PLAN NOTES:**
- WINDOWS SHALL BE PROTECTED FROM WIND BORNE DEBRIS AS FOLLOWS:
IN ACCORDANCE WITH THE INTERNATIONAL RESIDENTIAL CODE SECTION R301.2.1.2 EXCEPTION, THE BUILDER/ PURCHASER SHALL BE RESPONSIBLE FOR PROVIDING THE REQUIRED EXTERIOR PROTECTION, INCLUDING THE FASTENING.
 - WINDOW AND EXTERIOR DOOR DESIGN PERFORMANCE RATING SHALL CONFORM TO IRC SECTION R301.2.1
 - SHEARWALLS AND HOLDDOWNS ARE NOTED ON THE FLOOR PLAN AS REFERENCED BY THE SHEARWALL SCHEDULE. THE BUILDER/ PURCHASER IS RESPONSIBLE FOR PROVIDING AND INSTALLING ALL HOLDDOWNS AS REQUIRED BY THE SHEAR WALL SYSTEM DESIGN (8 1/2" x 11") SHEETS
 - SEE THE FASTENING SCHEDULE ON SHEET 4C (A STAPLE EQUIVALENT IS INCLUDED FOR THE SHEATHING FASTENING)
 - SEE THE UPLIFT STRAPPING REQUIREMENTS ON SHEET 4C
 - CORNER POSTS INCLUDE (3) STUDS MINIMUM



ROOM	AREA	PERIMETER BAND WITH 8d COMMON NAILS IN SUPPLIED COMMON NAILS IN SUPPLIED	VENT	SUPPLIED
MSTR BDRM	4'-1 3/4" x 23'-5"	23'-5"	4'-1 3/4"	26.0
BDRM 2	104	13'-9 1/2"	23'-2"	11.4
BDRM 3	11.4	11'-2"	11'-2"	11.4

SCALE: 1/4" = 1'-0"

THIRD PARTY INSPECTION AGENCY	SERIAL No.	12016
	PRODUCTION No.	5922
PE / RA	REVISION	RC
	DATE	03/07/12
HOMEOWNER:	CHECK	
	DATE	
BUILDER:	DESIGNER:	RC
	DATE:	02/14/12
USE GROUP:	SCALE:	1/4" = 1'-0"
	PAGE:	3B

COLONIAL CTM-L
SECOND FLOOR PLAN

Westchester Modular Homes Inc
30 Reagans Mill Road, Wingdale, New York, 12594
Tel (845)832-9400 Fax (845)832-6698