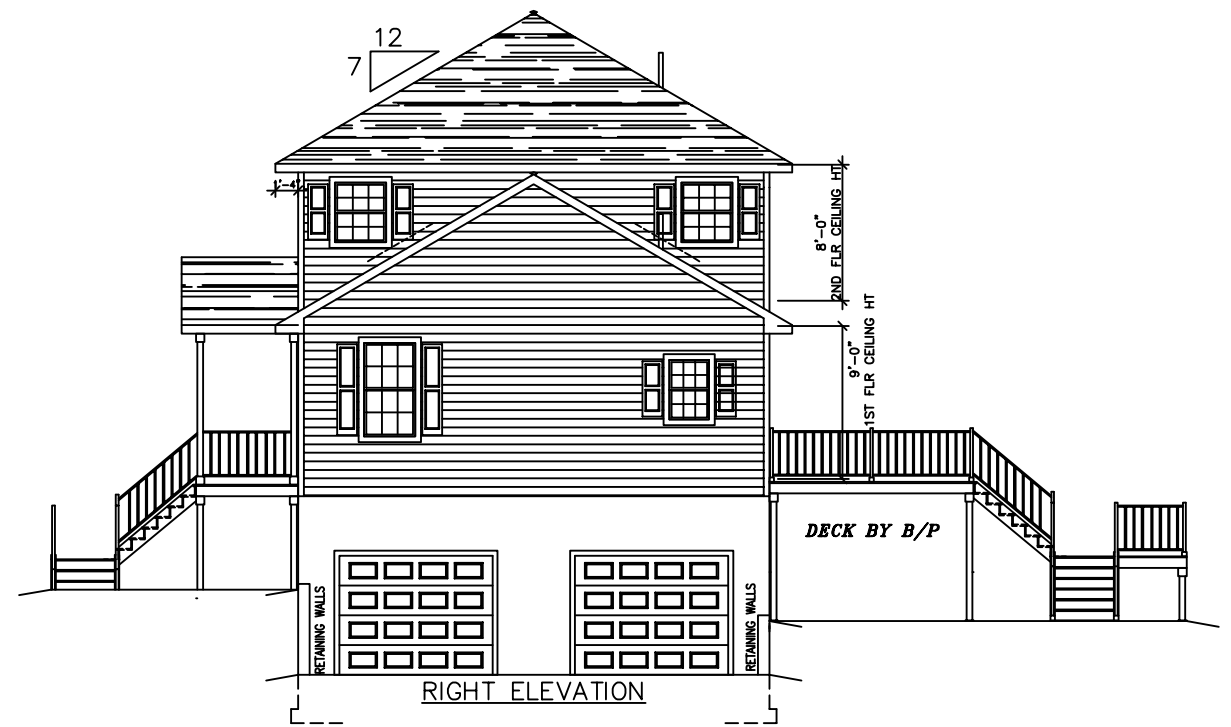


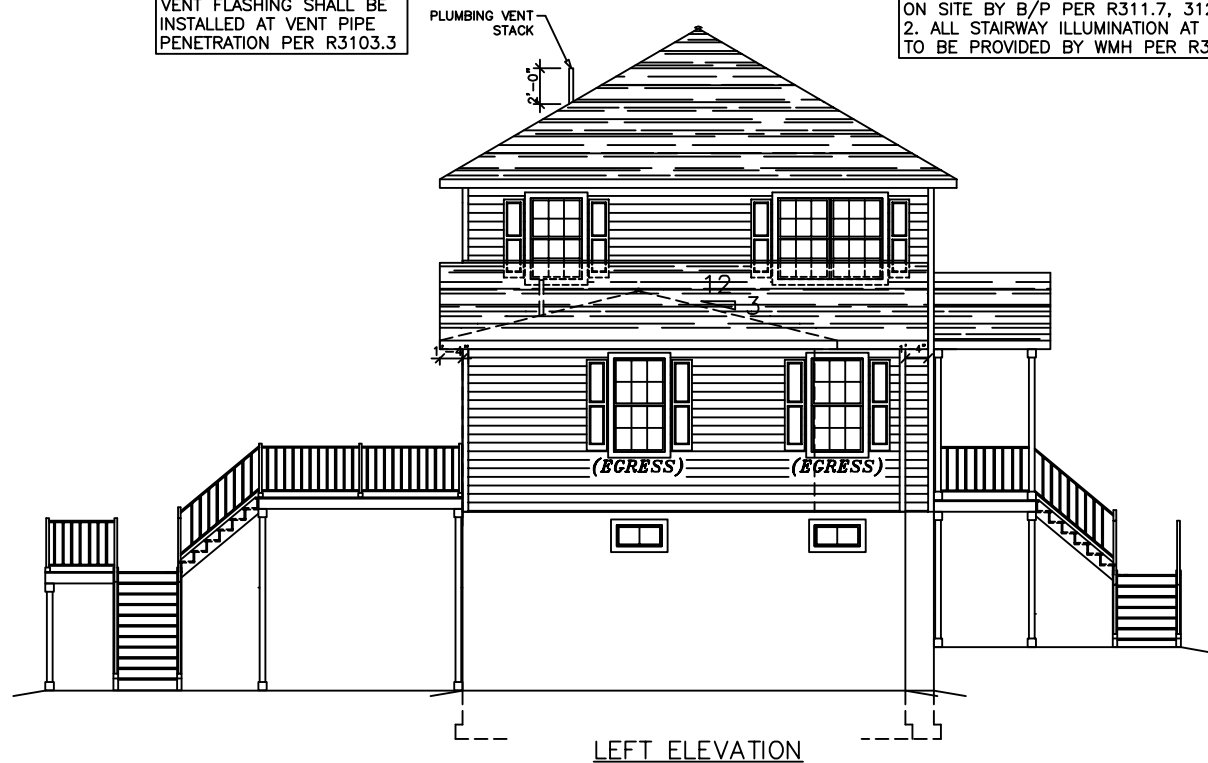
FRONT ELEVATION



RIGHT ELEVATION

NOTE:
VENT FLASHING SHALL BE
INSTALLED AT VENT PIPE
PENETRATION PER R3103.3

NOTES:
1. ALL EXTERIOR STAIRS, LANDINGS, RAILS, &
GUARDS TO BE DESIGNED, SUPPLIED, AND INSTALLED
ON SITE BY B/P PER R311.7, 312.1, & R303.8
2. ALL STAIRWAY ILLUMINATION AT EXTERIOR DOORS
TO BE PROVIDED BY WMH PER R303.8



LEFT ELEVATION

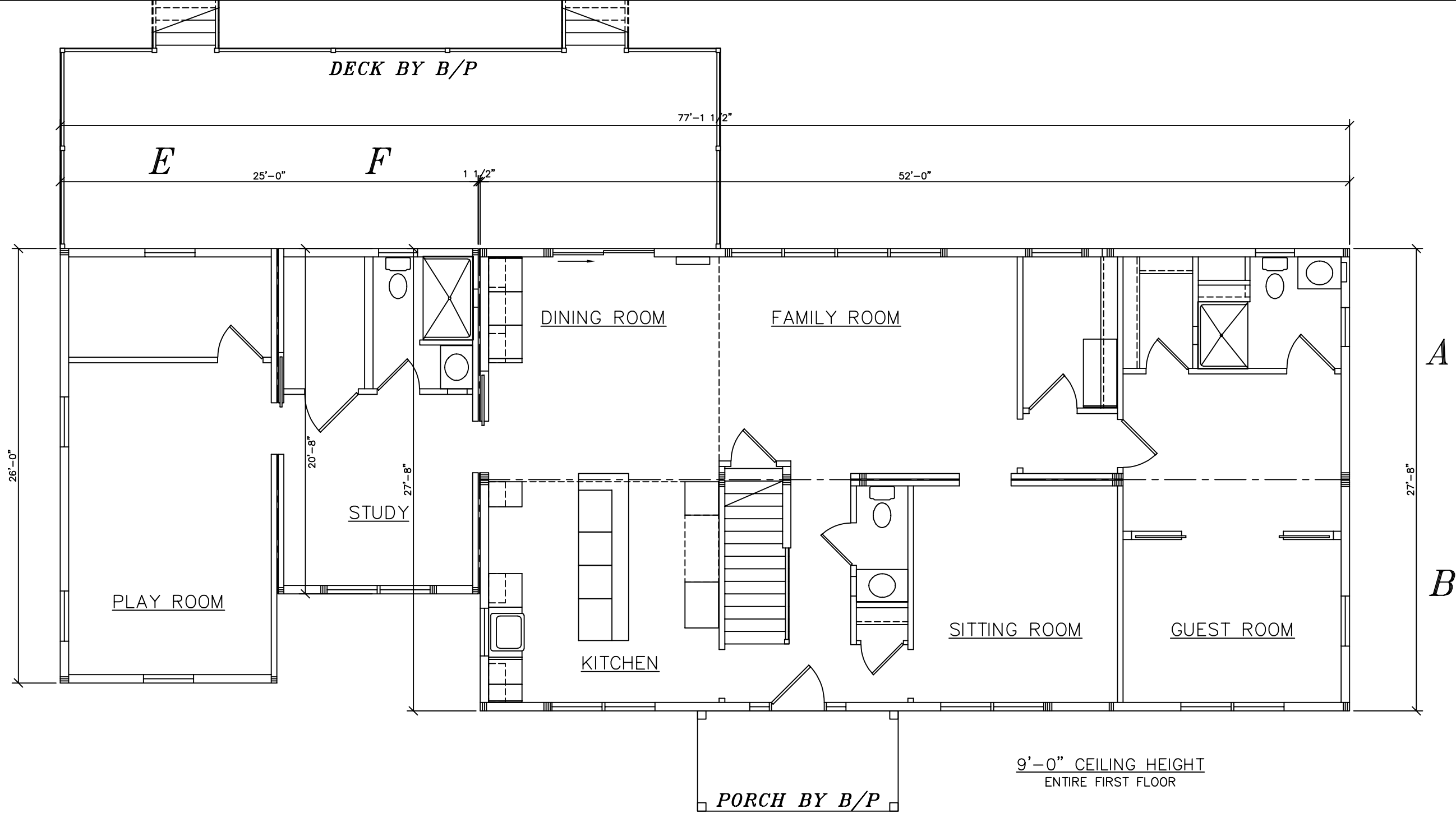



REAR ELEVATION

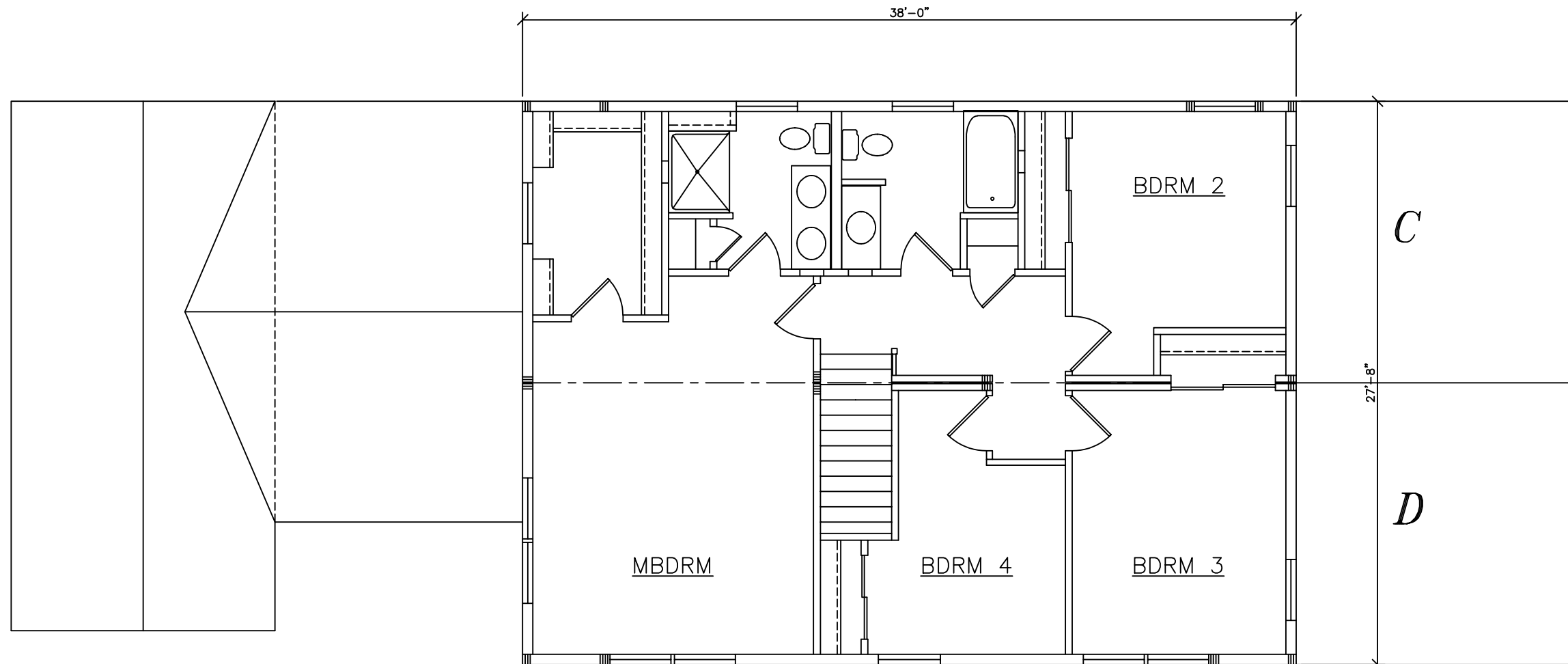
NOTES:
- 5 1/2" SMOOTH SUPER CORNERS

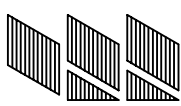
OVERHANG DIMENSION (*)			
ROOF PITCH	HOUSE WIDTH		
	24'-0"	26'-0"/30'-0"	27'-8"/31'-8"
5/12	16"	11"	16"
7/12	16"	11"	16"
9/12	12"	11"	12"
12/12	8 3/4"	8 3/4"	8 3/4"

THIRD PARTY INSPECTION AGENCY	PE / RA	SERIAL No. 22010	BUILDER:	OWNER:	USE GROUP: DETACHED SINGLE FAMILY DWELLING						
Copyright Westchester Modular Homes Inc.		PRODUCTION No. 7839	COLONIAL CTM-L ELEVATIONS	Westchester Modular Homes Inc 30 Reagans Mill Road, Wingdale, New York, 12594 Tel (845)832-9400 Fax (845)832-6698	CONST. TYPE: WOOD FRAME UNPROTECTED						
		<table border="1"> <tr> <th>REVISION</th> <th>DATE</th> </tr> <tr> <td>RS</td> <td>04/29/2022</td> </tr> <tr> <td>RS</td> <td>06/30/2022</td> </tr> </table>			REVISION	DATE	RS	04/29/2022	RS	06/30/2022	DESIGNER: R. SEAMAN
		REVISION			DATE						
RS	04/29/2022										
RS	06/30/2022										
DATE	CHECK	DATE: 02/18/2022									
		SCALE: 1/8" = 1'-0"			PAGE: 1						



THIRD PARTY INSPECTION AGENCY	PE / RA	SERIAL No. 22010	BUILDER:	OWNER:	USE GROUP: DETACHED SINGLE FAMILY DWELLING																
Copyright Westchester Modular Homes Inc.		PRODUCTION No. 7839	COLONIAL CTM-L		CONST. TYPE: WOOD FRAME UNPROTECTED																
		<table border="1"> <thead> <tr> <th>REVISION</th> <th>DATE</th> </tr> </thead> <tbody> <tr> <td>RS</td> <td>04/29/2022</td> </tr> <tr> <td>RS</td> <td>06/30/2022</td> </tr> <tr> <td> </td> <td> </td> </tr> <tr> <td> </td> <td> </td> </tr> <tr> <td> </td> <td> </td> </tr> <tr> <td> </td> <td> </td> </tr> <tr> <td> </td> <td> </td> </tr> <tr> <th>DATE</th> <th>CHECK</th> </tr> <tr> <td> </td> <td> </td> </tr> </tbody> </table>			REVISION	DATE	RS	04/29/2022	RS	06/30/2022											DATE
REVISION	DATE																				
RS	04/29/2022																				
RS	06/30/2022																				
DATE	CHECK																				
				DATE: 02/18/2022	SCALE: 7/32" = 1'-0"																
				PAGE:																	
			 Westchester Modular Homes Inc 30 Reagans Mill Road, Wingdale, New York, 12594 Tel (845)832-9400 Fax (845)832-6698																		



THIRD PARTY INSPECTION AGENCY	PE / RA	SERIAL No. 22010	BUILDER:	OWNER:	USE GROUP: DETACHED SINGLE FAMILY DWELLING		
Copyright Westchester Modular Homes Inc.		PRODUCTION No. 7839	COLONIAL CTM-L		CONST. TYPE: WOOD FRAME UNPROTECTED		
		<table border="1"> <tr> <th>REVISION</th> <th>DATE</th> </tr> <tr> <td>RS</td> <td>04/29/2022</td> </tr> <tr> <td>RS</td> <td>06/30/2022</td> </tr> </table>			REVISION	DATE	RS
REVISION	DATE						
RS	04/29/2022						
RS	06/30/2022						
					DATE: 02/18/2022		
					SCALE: 7/32" = 1'-0"		
					PAGE:		
		DATE	CHECK				
					Westchester Modular Homes Inc 30 Reagans Mill Road, Wingdale, New York, 12594 Tel (845)832-9400 Fax (845)832-6698		